

TECHNICAL SPECIFICATION

Metal distribution boxes JXF



Description:

Supplied with a special lock, metal plate for fixing of electrical devices, lid for the input-output conductors, grounded dowel pin, gaskets, etc. Option to change the opening direction. Made of single steel sheet, treated with decorative powder coating.

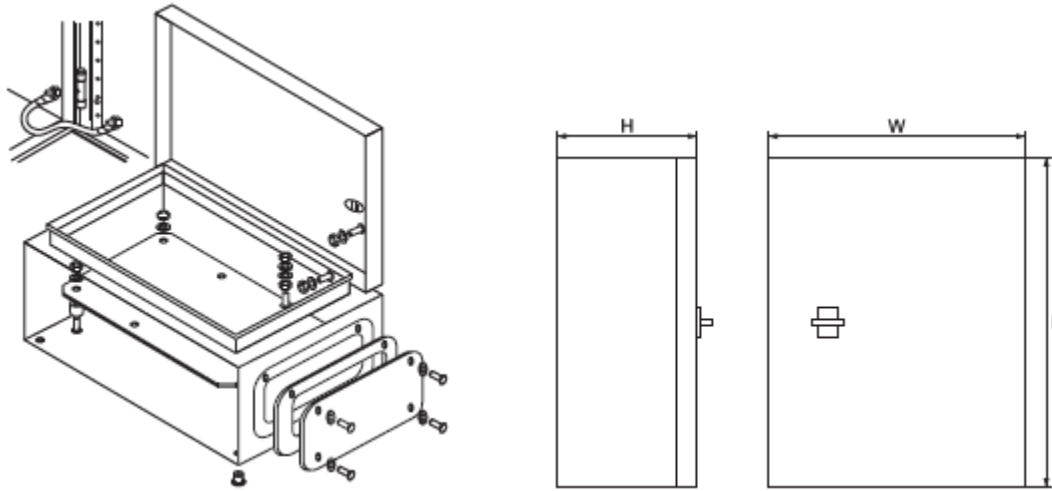
Technical data:

- Rated voltage: up to 1000V
- Maximum current: up to 1250A
- Material: steel
- RAL 7032
- Coating: powder style painting
- IP code: IP 65

Mounting:

- Vertically on flat surface

Variants and dimensions:



Type	Thickness of metal sheet (mm)	Metal box dimensions (mm)			Nominal working current In (A)	Packing / Box	Catalogue number
		L(height)	W(width)	H(depth)			
JXF 25/25/15	1.0	250	250	150	80	1	53025
JXF 25/30/15	1.0	250	300	150	100	1	53026
JXF 30/25/15	1.0	300	250	150	100	1	53030
JXF 30/40/20	1.0	300	400	200	160	1	53031
JXF 40/30/20	1.0	400	300	200	160	1	53040
JXF 40/50/20	1.2	400	500	200	250	1	53041
JXF 40/40/20	1.2	400	400	200	250	1	53044
JXF 50/40/20	1.2	500	400	200	250	1	53050
JXF 40/60/20	1.2	400	600	200	250	1	53051
JXF 60/40/20	1.2	600	400	200	250	1	53060
JXF 60/60/20	1.2	600	600	200	250	1	53066
JXF 70/50/20	1.2	700	500	200	350	1	53070
JXF 80/60/25	1.5	800	600	250	400	1	53080
JXF 100/80/30	1.5	1000	800	300	630	1	53100
JXF 120/80/30	1.5	1200	800	300	630	1	53120
JXF 140/80/30	1.5	1400	800	300	800	1	53140
JXF 180/80/30	1.5	1800	800	300	1000	1	53188
JXF 180/100/30*	1.5	1800	1000	300	1250	1	53180

Note: Metal boxes with double door

Standards: EN 62208:2011

EN 60439-3:1991/A1:1994

